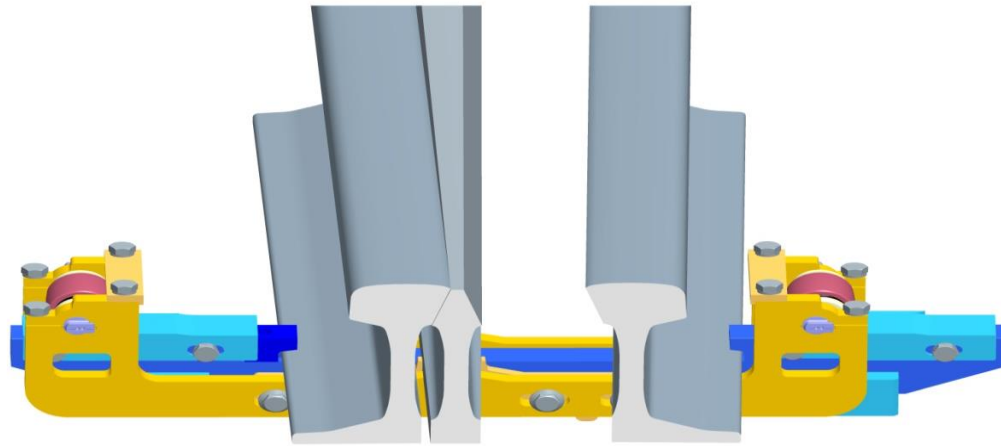


Schwihag

Components



**for the
low maintenance track
Schwihag RBH system**

RBH – Roller assembly for use in moveable point crossings – Schwihaag system

Introduction:

In a moveable point crossing, a crossing vee is moved on a crossing baseplate between 2 wing rails. In the respective end position the crossing vee is clamped against the respective wing rail by means of heel blocks.

Because of the movement of the crossing vee on the crossing baseplate, it shall be lubricated at regular intervals. Contamination of the lubricant and wear of the surface of the crossing baseplates results in sluggish movement of the moving vee.

The RBH enables smooth movement of the crossing vee and results in a permanent reduction in the vee driving forces. With simple adjustability, the RBH can be mounted in various installation positions on the crossing. The RBH can be used on many different moveable point crossing types, sizes and rail sections.

RBH – Roller assembly for use in moveable point crossings – Schvihag system

Structure:

The RBH consists of two main assemblies: the ramp holder (1) and roller assembly (2). The ramp holder (1) is clamped onto the wing rails. The clamped length (a) can be continuously adjusted depending on the spacing and angle of the wing rails. The roller assembly (2) is connected to the crossing vee and is guided by the ramp holder. The eccentrically supported rollers (3) run across two horizontally adjustable ramps (4). The ramp length (b) can be continuously adjusted depending on the switching path of the crossing vee.

Function:

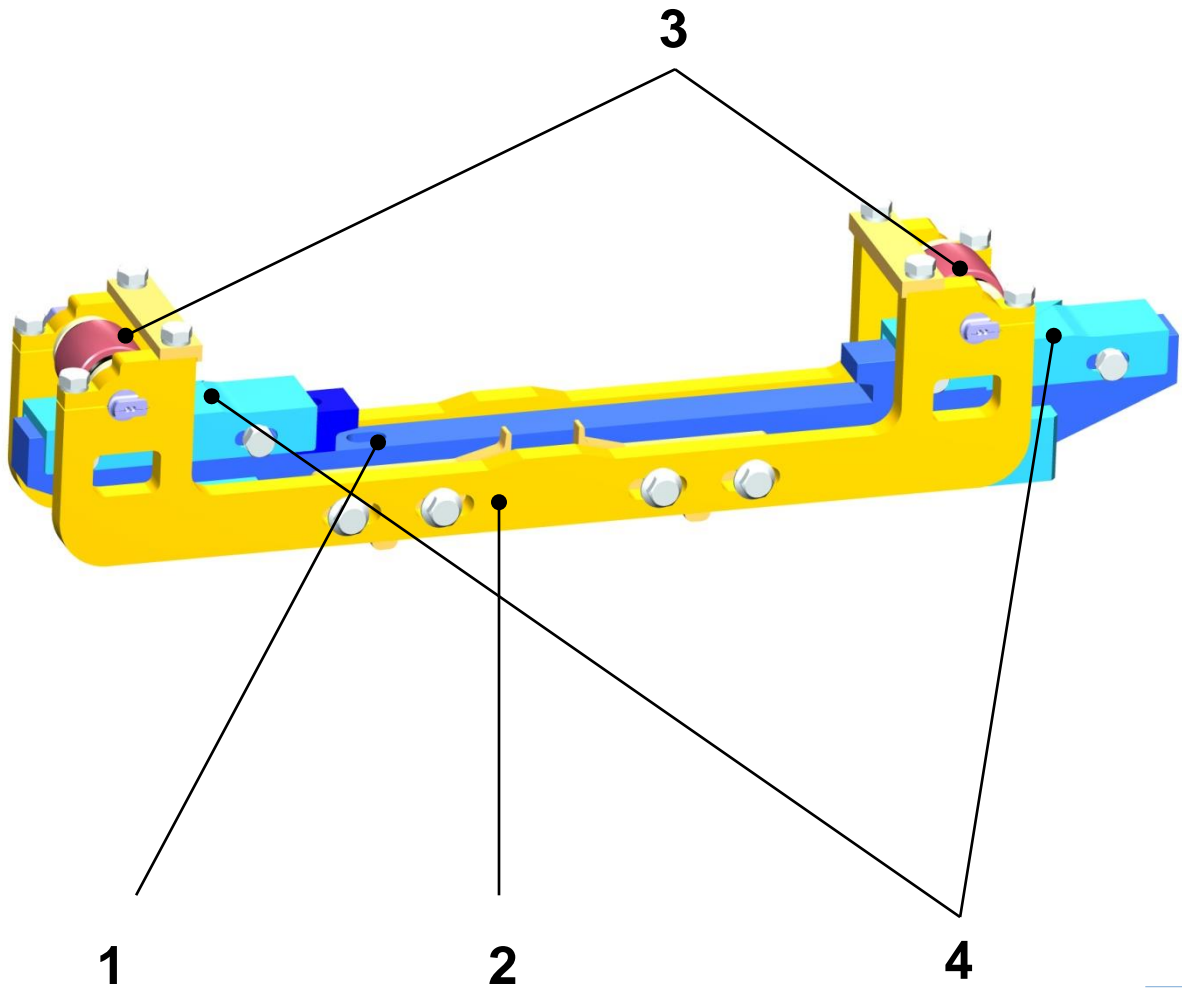
The roller assembly (2) fastened onto the crossing vee is moved in the direction of the respective wing rail by the changeover (switching) of the crossing vee. The rollers, which are permanently fixed to the roller assembly, run across two ramps (4) during the crossing vee movement. As the vee is moved, the two ramps vertically lift the roller assembly from the crossing baseplates with a resultant 2-3 mm lifting of the the crossing vee.

Installed position:

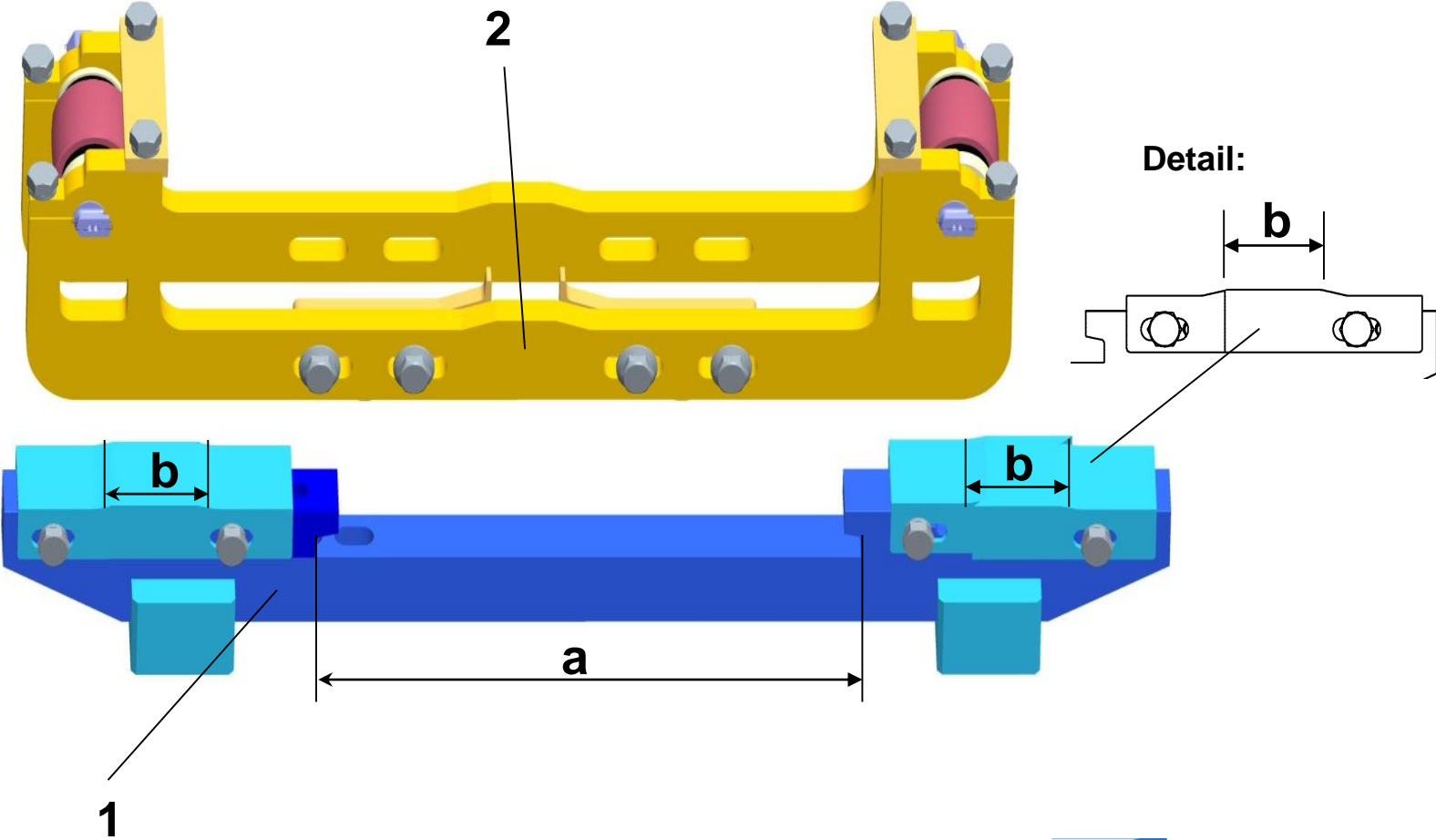
The RBH is usually installed in the first third of the moveable crossing vee, however, this depends on the size of the crossing and usually the changeover path of the crossing vee.



RBH – Roller assembly for use in moveable point crossings – Schwihag system

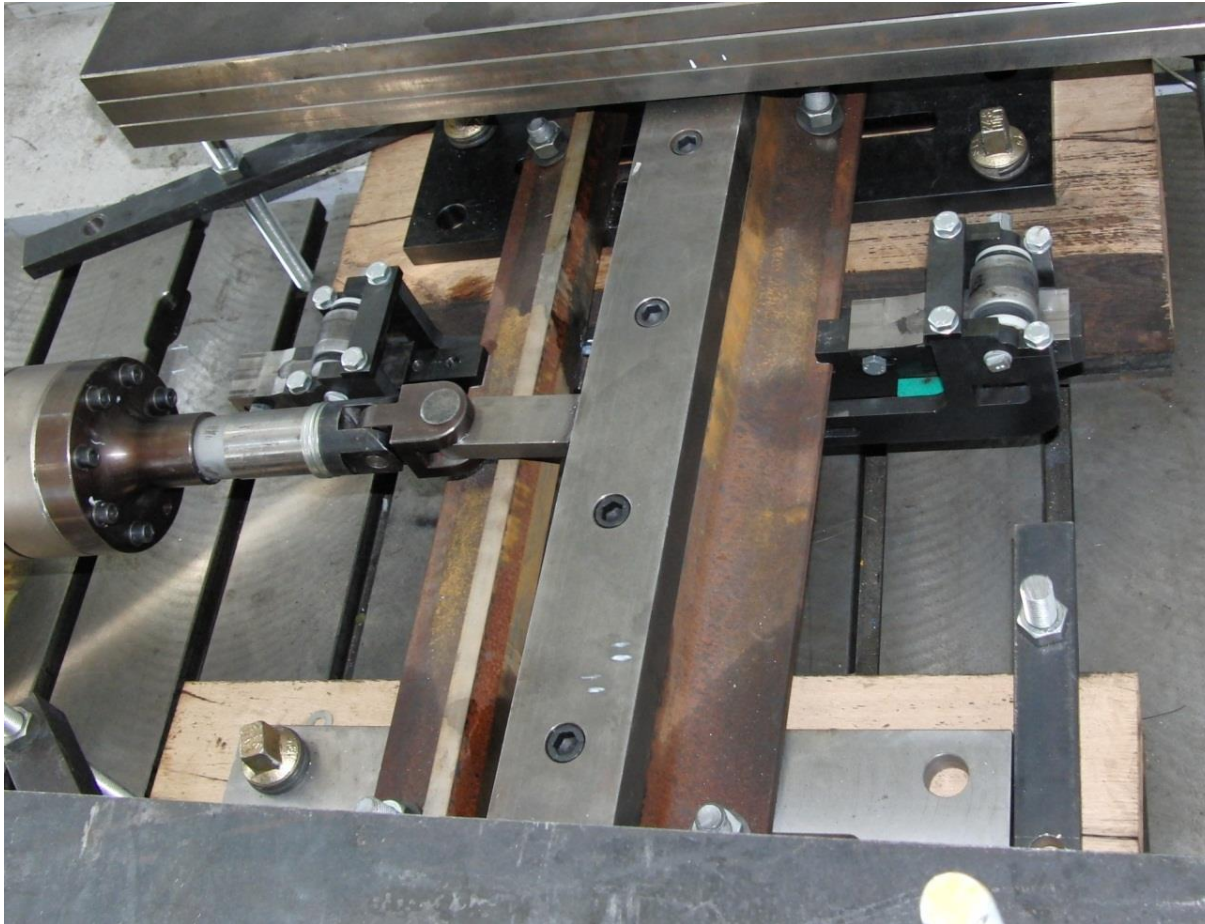


RBH – Roller assembly for use in moveable point crossings – Schwihag system



RBH – Roller assembly for use in moveable point crossings – Schvihag system

Continuous test:



Test rig for testing the RBH